

PaintChecker Industrial

Move – Measuring in motion



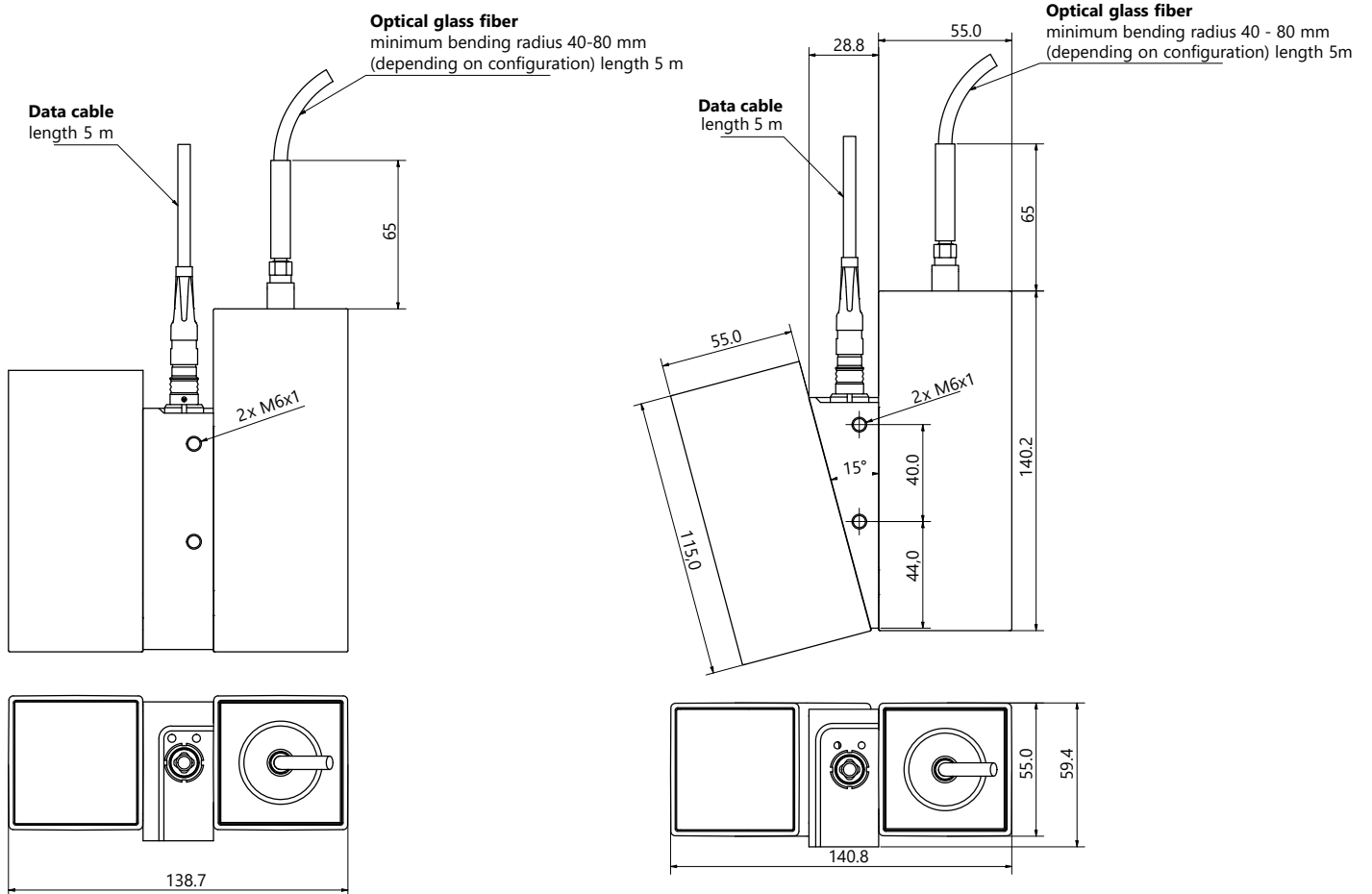
With the pioneering new PaintChecker Industrial Move coating thickness measurement system, it is now possible for the first time to inspect surfaces of any length and moving objects without having to move along with the components. The new technology actively utilises the movement between the workpiece and the sensor instead of compensating for it, as is the case with conventional devices.

The excitation and detection modules are self-contained and can be configured independently of each other. The non-contact measuring 3D PaintChecker Move is also easy to integrate into existing coating lines – even in the most difficult production environments.

Technical data | PaintChecker Industrial Move

| Order number | S24-0800-00X | | Remark |
|---|-----------------------------------|---------|--|
| Working distance | 150 mm (typical) | | 100 - 200 mm on request |
| Distance tolerance | 10% of working distance (typical) | | preliminary |
| Operating mode | cw | | |
| Wavelength | 980 nm | 1470 nm | |
| Optical power | 30 W | 18 W | |
| Laser class | 4 | | |
| Dimensions (L X W x H) | Depending on configuration | | See drawings for standard examples |
| Weight | approx. 1.5 kg | | |
| Coating thickness measuring range | 50 - 1.000 µm | | preliminary, depending on material system and belt speed |
| Belt speed | 1 - 80 m/min | | preliminary, depending on the material system |
| Measuring field width (transverse to the direction of movement) | up to 100 mm | | |
| Measuring field length (parallel to the direction of movement) | any | | |
| Spatial resolution | up to 1 mm | | depending on configuration and measurement settings |

Dimensional drawing | PaintChecker Industrial Move



Scope of delivery | Accessories

Scope of delivery

- Sensor
- 5 m cable
- 5 m glass fiber



OptiSense is certified according to DIN EN ISO 9001:2015
 WEEE-Reg.-No. DE 69647320

OptiSense GmbH & Co. KG
 Annabergstraße 120
 45721 Haltern am See
 GERMANY

Tel. +49 2364 50882-0
 Mail info@optisense.com
 Web www.optisense.com

