

PaintChecker Industrial

Tube LLP 3.5 | Tube LHP 3.5 | Tube LHP 10.0



The PaintChecker Industrial Tube is the best-selling laser sensor from the OptiSense family. It is available in three versions, differing in distance to the target and excitation power.

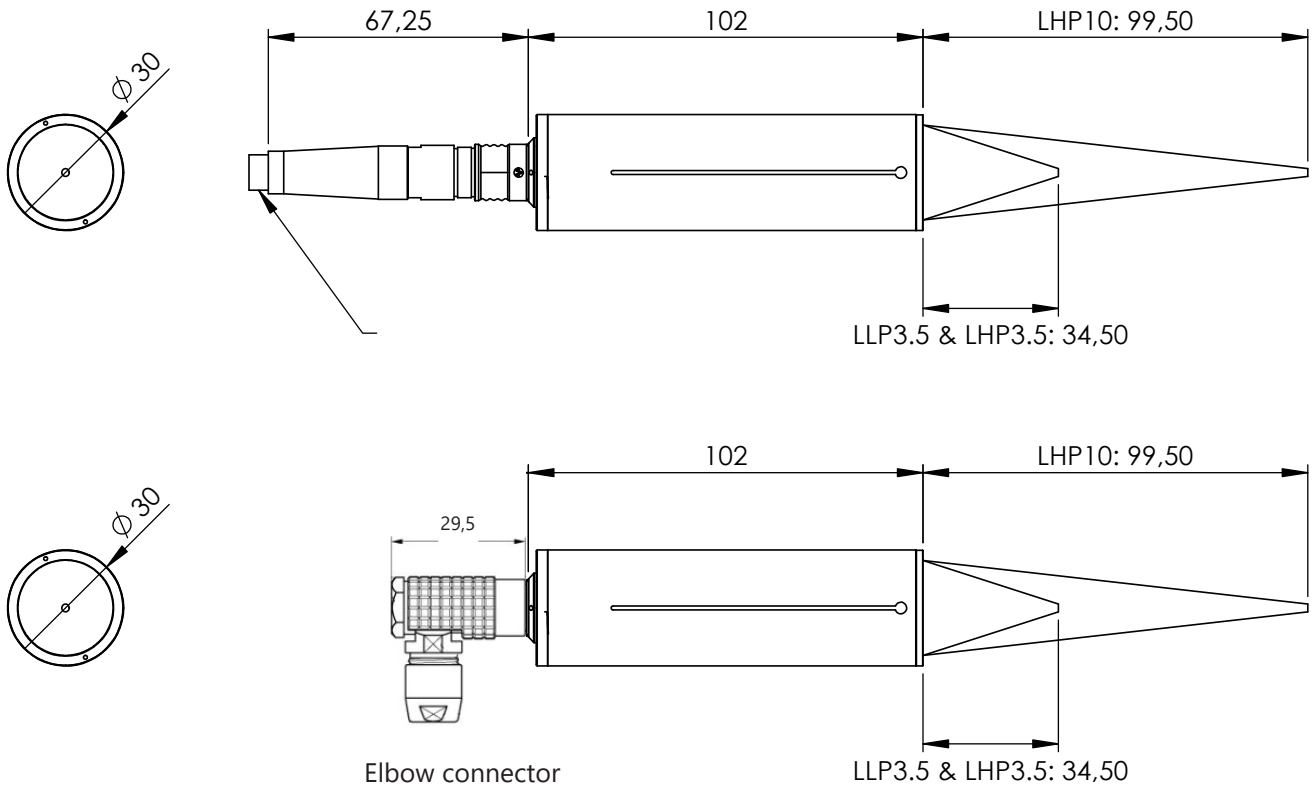
The sensor is designed for continuous use in industrial environments and is also available in a high-power version. The PaintChecker Industrial Tube sensor features a diode laser as a light source – with all the advantages of semiconductor technology, such as long durability, high efficiency and absolute vibration resistance.

Models equipped with LARES® technology are eye-safe.

Technical Data | PaintChecker Industrial Tube

Model	Tube LLP 3.5	Tube LHP 3.5	Tube LHP 10.0	Model	Tube LLP 3.5	Tube LHP 3.5	Tube LHP 10.0
Order number	S23-0700-004	S23-0700-005	S23-0700-006	Order number	S23-0700-004	S23-0700-005	S23-0700-006
Design	Laser, Cylinder			Distance tolerance	± 2,5 mm		± 5 mm
Measurement range	1 - 1000 µm			Angular tolerance	± 15°		
Measurement rate	max. 2.5 Hz			Max. acceleration	IP 50		
Measurement time	125 - 1000 ms ;laser pulse: maximal 500ms			Size measuring field Ø	0.3 mm		0.5 mm
Diffusor	1°			Max. pulse energy	650 mJ	1250 mJ	
Duty Cycle	33 %			Wavelength	1480 nm		
Max. On-time	1s			Classification	1	4	
Operating mode	pulsed operation			Eye safety	yes	no	
Resolution	1 % of reading			Dimensions (L x W x H)	Ø 30 x 102 mm		
Accuracy	3 % of reading			Weight	150 g		
Measuring distance lens	35 mm		100 mm	IP Code	5 g		

Dimensional Drawing | PaintChecker Industrial Tube LLP3.5 | Tube LHP3.5 | Tube LHP10.0



Safety Redefined | LARES® - Technologie

OptiSense LARES® stands for LAsER Ra-diation Eye Safety. Thanks to our patented LARES® technology, operators, machinery and environment at the manufacturing and processing location are reliably protected.

All sensors with the LARES® logo are eye-safe. They can be used directly and

without any restrictions in almost all areas of application and can be operated without any technical protection measures. The designation of a laser protection supervisor, which is mandatory for laser radiation hazardous to eyes, and the briefing and instructing the operating personnel, which must be properly documented, can thus be omitted with.

Delivery Contents & Accessories

Delivery Contents

- Sensor

Accessories

- Cable with angle plug
- Calibration certificate
- Sensor holder on request



OptiSense is certified according to DIN EN ISO 9001:2015
 WEEE-Reg.-No. DE 69647320

OptiSense GmbH & Co. KG
 Annabergstraße 120
 45721 Haltern am See
 GERMANY

Tel. +49 2364 50882-0
 Mail info@optisense.com
 Web www.optisense.com

